



PG33/PG36

Gas Log Fireplaces

Designed to suit your décor, with a selection of surrounds and finishing touches, there are multiple ways to customise the look and feel of your Panorama fire. Perfect for cosy living areas, the Panorama offers a beautiful flame and controllable heat.

STANDARD FEATURES

- Direct vent room sealed technology
- Natural gas
- Enhanced log set and embers
- Ceramic glass
- Dress guard
- Flame adjustment
- Black louvres (PG33 only)
- Electronic ignition
- 3-speed fan
- 45° flue takeoff – vertical or horizontal (PG33 only)
- PG33 - 5.0kW - 24 MJ NG/LPG
- PG36 - 6.8kW - 33 MJ NG /31 MJ LPG

OPTIONS

- Black louvres (PG36 only)
- Premium black flush front (PG36 only)
- Brushed steel front trim (PG33 only)
- 3 or 4 sided finishing trim in black or brushed steel*
- 3 or 4 sided slim line fascia in black or brushed steel (PG36 only)
- Reflective stainless steel side inserts
- Ember upgrade package
- FireGenie® remote control
- Vertical or horizontal venting
- AstroCap™ horizontal venting system
- LPG conversion kit

**Only available while stock lasts*



FireGenie® remote control



AstroCap™ horizontal venting system (311mm X 311mm)





PG36 shown with optional premium flush front, slim fascia and reflective panels (shown without mandatory dress guard).

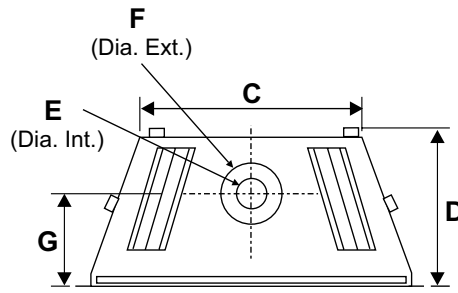
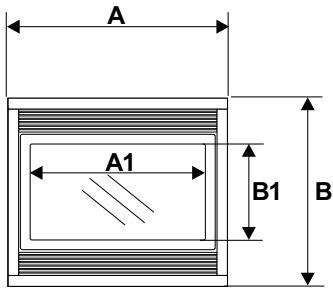


PG36 shown with black louvres (shown without mandatory dress guard).



PG33 shown with black louvres and 3-sided finishing trim (shown without mandatory dress guard).

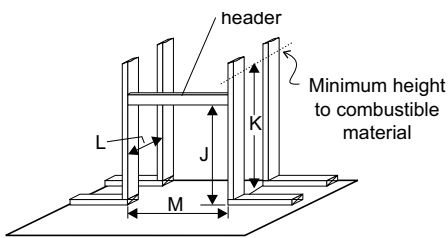
SPECIFICATIONS (mm)



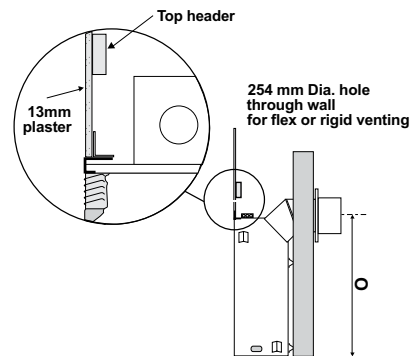
Dimensions	PG33	PG36
A	838	914
A1	660	741
B	737	775
B1	406	394
C	584	838
D	324	324
E	102	102
F	175	175
G	-	184

FRAMING (mm)

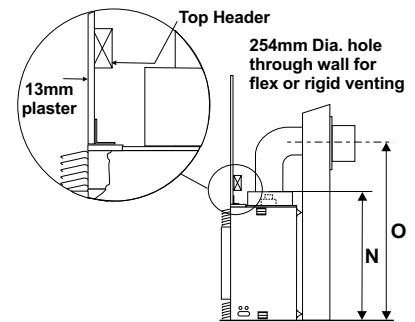
FRAMING - FRONT VIEW



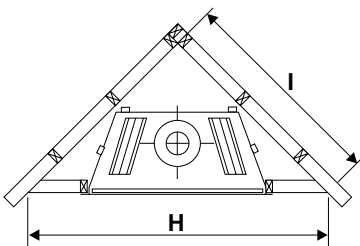
MINIMUM TERMINATION CENTRE LINE P33



MINIMUM TERMINATION CENTRE LINE PG36



FRAMING - TOP VIEW



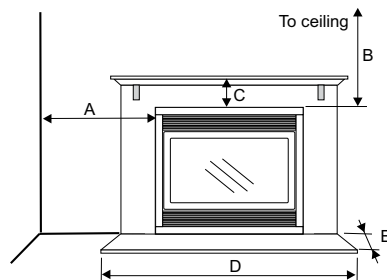
Framing (horizontal termination)								Minimum termination centre line
	H	I	J	K	L	M	N	O
PG33 (Flex flue)	1353	953	806	813	324	845	-	660
PG33 (Rigid flue)	1353	953	806	914	419	845	-	762
PG36	1524	1078	921	1126	324	921	914	1029
PG36 (premium flush front)	1524	1078	946	1182	432	944	914	1029

For vertical termination or vertical rise with horizontal termination please refer to manual.

NOTE: Framing dimensions are a guide only. Always check current installation manual before commencing construction.

MINIMUM CLEARANCES (mm)

Clearances	PG33	PG36
A	191	152
B	762	1016
C	178	178
D	0	0
E	0	0



for your nearest dealer visit:
regency-fire.com.au
 or call 1 800 081 978

Fireplace Products Australia Pty Ltd.

1 Conquest Way,
 Hallam VIC 3803
 Australia
 Phone: 1 800 081 978
 Fax: 03 9799 7822
 Email: sales@regency-fire.com.au

Distributor WA Air Group Australia

28 Division St.
 Welshpool WA 6106
 Australia
 Phone: 08 9350 2200

Distributor NZ Aber Holdings Ltd

17 Mainstreet Place,
 PO Box 10095, Te Rapa
 Hamilton 3241
 New Zealand
 Phone: 64 7849 7585

your Regency dealer

Disclaimer: Appearance of flames varies with installation and fuel type.

© 2018 FPI Fireplace Products International Ltd. Regency®, Greenfire®, Astrocop® and Panorama™ are the registered and/or proprietary trademarks of FPI Fireplace Products International Ltd. All rights reserved. (03/18)
 Part no. 944-298