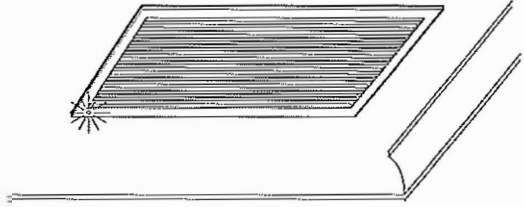


PURTECH RETURN AIR FILTER MAINTENANCE

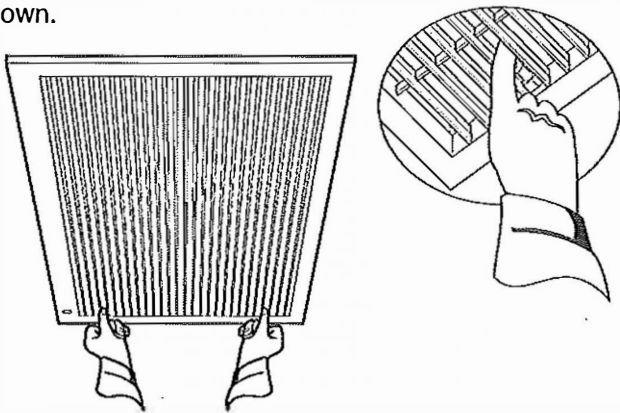
CLEANING INSTRUCTIONS

1. The filter should be cleaned regularly, as required. (A minimum of 4 times a year in domestic systems).

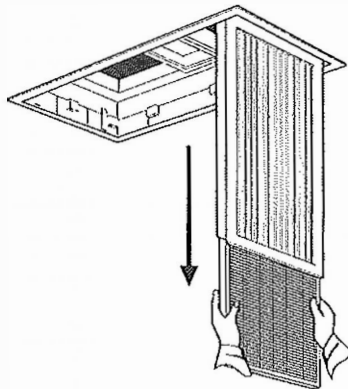


2. Switch the air conditioning unit OFF.

3. Unfasten the two end core clips and hinge the core down.



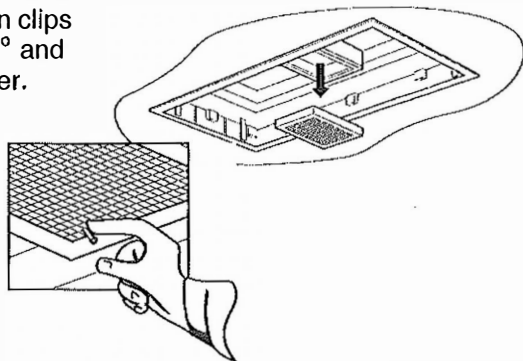
4. Slide the filter out from the core.



5. Wash with water. A garden hose is ideal.

6. Air dry under shade. (DO NOT dry in direct sun)

7. If a fresh air filter is fitted turn clips through 90° and remove filter.

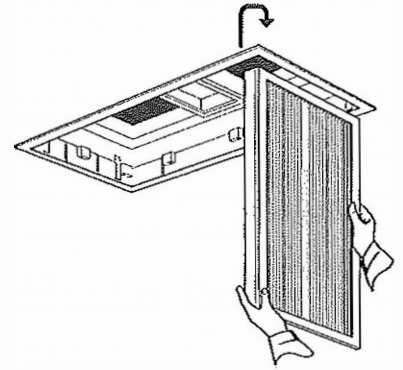


8. Wash with water. With a hose or in a sink.

9. Air dry under shade. (DO NOT dry in direct sun)

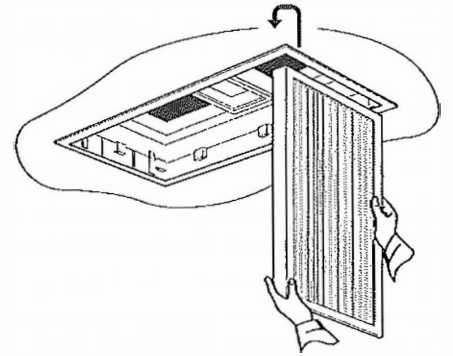
10. If the grille core requires cleaning.

11. Lift and unclip core.

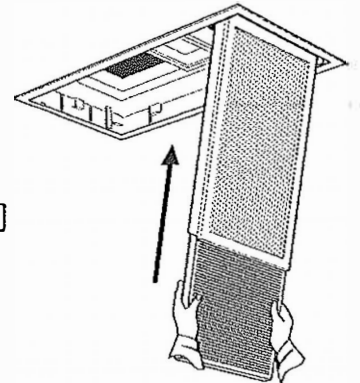
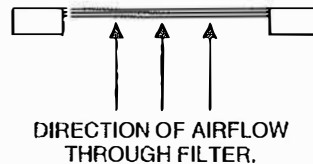


12. Wash in warm soapy water, rinse and dry.

13. To install grille core after cleaning, lift up into return air box pull forward and allow to drop gently.



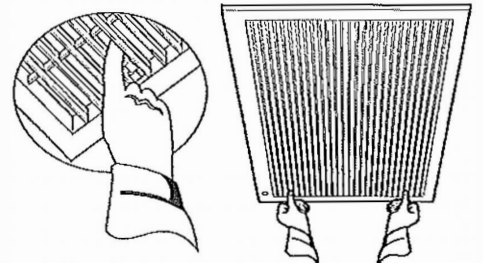
15. To ensure air flow through the filter is in the correct direction. Install the filter/s with the recess part of the filter facing down.



16. Slide the filter into core.

17. Push up at a slight angle until it clips into place.

18. Hinge filter up and fasten with the two latches.



No Liability

This advice is of a general nature only. Total Kooling Solutions does not accept any responsibility for any loss or damage that may be caused either directly or indirectly by the maintenance of this Purtech Return Air Grille.